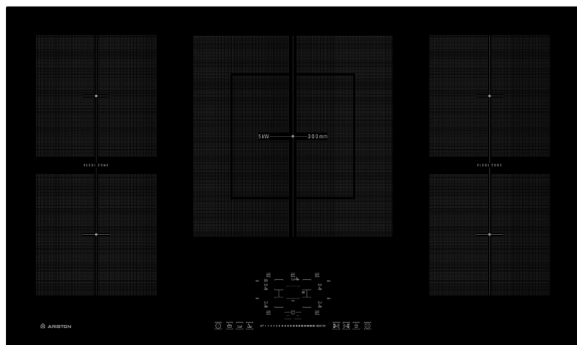


NIS 952 FB AUS

90cm Induction Cooktop



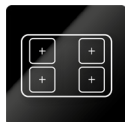
ARISTON



TECHNICAL SPECIFICATIONS

Construction Type/Product Family	Built-In Induction
Engery Input/Absorbed Power (Amps)	Electric/42A
Total Usable Cooking Zones	5 + 2 Flexi Zones
Residual Heat Indicator	Yes
Location of Control Panel	Front Centre
Location of Power Box & Length of Power Cable	No . 1 (LHS) 415mm (RHS) 160mm (Top) 80mm No 2. (LHS) 590mm (RHS) 240mm (Top) 40mm / 100cm
Electrical Connect Requirements (V/Hz)	220-240V/380-400V/50Hz
Surface Material	Black Cermaic Glass
Power Levels	9 + Boost
Country of Origin	Italy

FEATURES & BENEFITS



Induction Cooktop Benefits

Quick heat up and consistent temperature makes induction cooking the best choice, especially when cooking delicate foods such as; sauces and chocolate.



Induction Flexizone

Using the Flexizone you can transform two cooking areas to one large area allowing you to use large pots and pans.



Easy to Clean

Not only does it look good, but it's easier to clean without the usual steel lip on the front edge of your hob trapping dirt and grime.



Child Lock

With the use of the control panel lock, you can prevent any accidental activation incidents.



Features

Deactivation of Zones, Residual Heat Indicator, Timer, Boiling Function, Simmering Function, Melting Function and Flexi Zone.



5
YEAR
WARRANTY

ZONES

Front Left Zone Zone Size, Cookware Size- Min,Max/Flexi: Power Output	180mm, 140mm, 300mm 1800 / 2500
Front Right Zone Zone Size, Cookware Size-Min,Max/Flexi: Power Output	190mm, 140mm, 300mm 1800 / 2500
Rear Left Zone Zone Size, Cookware Size-Min,Max/Flexi: Power Output	180mm x 140mm x 180mm 1800 / 2500
Rear Right Zone Zone Size, Cookware Size-Min,Max/Flexi: Power Output	180mm x 140mm x 180mm 1800 / 2500

DIMENSIONS

Product Dimensions (W) x (D)	860 x 52 x 510
Package Dimensions (W) x (H) x (D)	960 x 200 x 600
Built-In Hole Dimensions (W) x (H) x (D)	840 x 52 x 490
Net Weight/Gross Weight	18.6

DISTRIBUTED BY ARISIT PTY LTD

40-50 Mark Anthony Drive,
Dandenong South VIC 3175
Ph: 1300 762 219
Fax: 03 9768 0838
Website: www.arisit.com

1A Howe Street,
Newton, Auckland NZ 1145
Ph: (09) 306 1020
Website: www.arisit.com

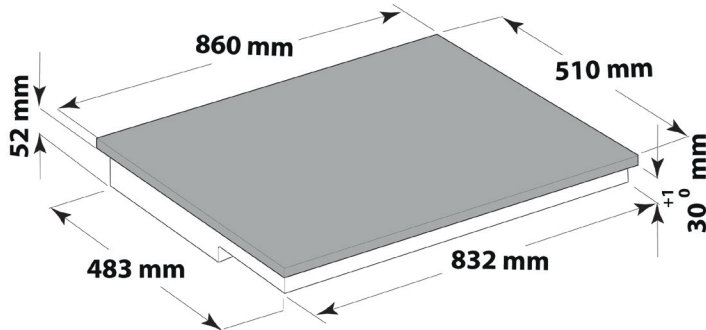


NIS 952 FB AUS

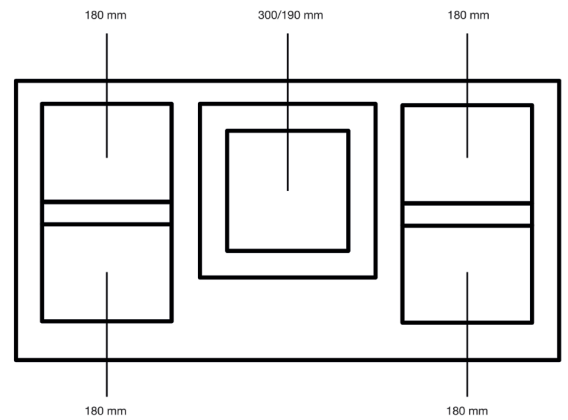
90cm Induction Cooktop



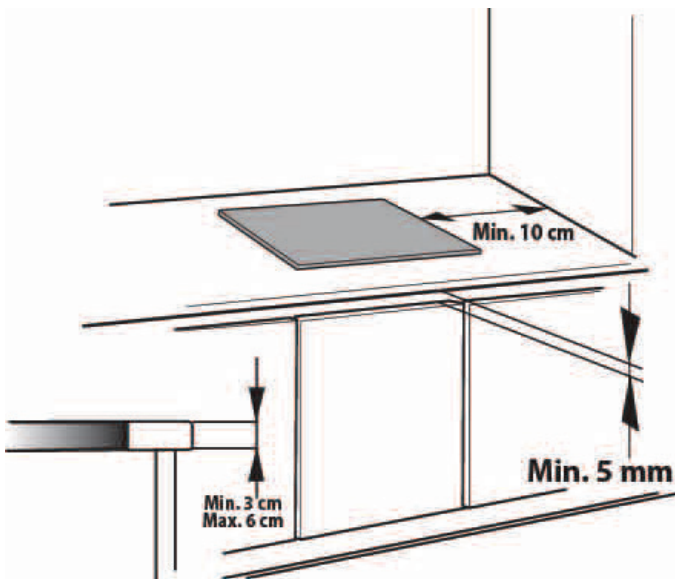
Product Dimensions



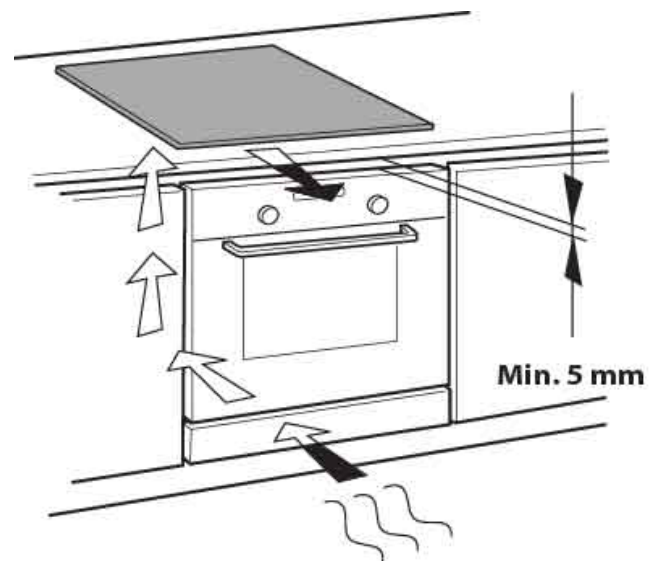
Zone Configuration



Clearance Requirement & Benchtop Thickness



Ventilation Requirements



WARNING: technical specifications and product sizes can be varied by the manufacturer, without notice. Cut outs for appliances should only be by physical product measurements. The above is indicative only.

DISTRIBUTED BY ARISIT PTY LTD

40-50 Mark Anthony Drive,
Dandenong South VIC 3175
Ph: 1300 762 219
Fax: 03 9768 0838
Website: www.arisit.com

1A Howe Street,
Newton, Auckland NZ 1145
Ph: (09) 306 1020
Website: www.arisit.com

