

**Series 4, Heat pump tumble dryer, 8 kg, White  
WTH85222GB**



**The dryer for especially efficient drying:  
energy efficiency class A++.**

- **Easy Clean with A++:** dries efficiently. With an easy-to-clean condenser filter.
- **Auto Dry:** automatically dries to the exact level of dryness you want.
- **Anti Vibration Design:** stable and quiet thanks to special vibration protection.
- **Climate friendly dryer with the most environmental friendly cooling agent (R290).**
- **Easy-to-use LED display with touch control and many additional functions like start delay and remaining time.**

**Technical Data**

Built-in / Free-standing:	Free-standing
Removable top:	No
Door hinge:	Right
Length electrical supply cord:	179.5 cm
Dimensions:	842x598x613 mm
Net weight:	46.6 kg
Fluorinated greenhouse gases:	No
Hermetically sealed equipment:	Yes
The quantity expressed in CO2 equivalent:	0.000 t
EAN code:	4242005242740
Connection rating:	625 W
Fuse protection:	10 A
Voltage:	220-240 V
Frequency:	50 Hz
Maximum capacity in kg:	8.0 kg
Energy Efficiency Class <sup>1</sup> :	E
Weighted energy consumption per cycle (EU 2017/1369):	1.32 kWh/cycle
Weighted energy consumption per 100 cycles (EU 2017/1369):	132 kWh/100 cycles
Condensation Efficiency (EU 2017/1369):	81 %
Programme duration half capacity (EU 2017/1369):	2:10
Programme duration rated capacity (EU 2017/1369):	3:25

**Optional accessories**

WTZ1110	Condenser drainage kit
WTZ11400	Stacking kit with pull-out shelf
WTZ20410	Stacking kit
WTZPW20D	Platform with pull-out, dryer, cubic



<sup>1</sup> Scale of Energy Efficiency Classes from A to G

## **Series 4, Heat pump tumble dryer, 8 kg, White WTH85222GB**

### **The dryer for especially efficient drying: energy efficiency class A++.**

---

#### **Performance**

##### **Programmes/functions**

- Special programmes: Woollens, Mixed Load, Towels, Timed programme warm, Timed programme cold, Sportswear, Down, Super Quick 40, shirts/blouses

##### **Key features**

- Touch control buttons: Low heat, Reduced ironing, Drying time, Fine-tuning for drying level, 24 h, end Time Delay

##### **Additional features**

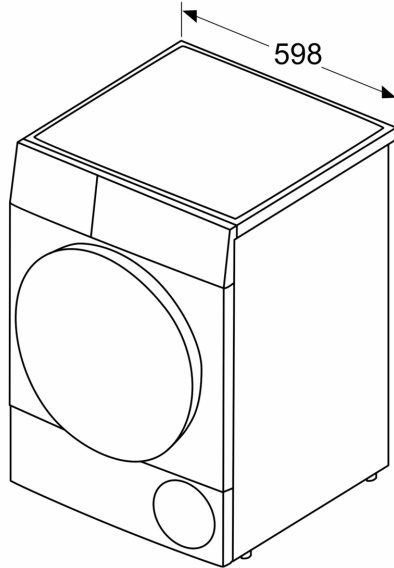
- EasyClean filter
- Fully electronic control dial for sensor drying programmes and timed programmes
- Fully electronic control dial for sensor drying, including timed and special programmes
- LED Display for remaining time and 24 hours time delay, programme status indication, special functions
- Sensitive drying: large stainless steel drum with textile care and revolution drying system
- AntiVibration design: for greater stability and quietness
- No
- Container for condensed water
- Full container tank indicator
- Warning for fluff filter and condensed water filter
- no
- Child Lock
- Anti-crease cycle at the end of the programme
- Buzzer to indicate the end of cycle
- Glass door,, silver-white
- AU
- Door hinge: right-hand
- Metal door catch

##### **Technical Information**

- slide-under installation
- Dimensions (H x W): 84.2 cm x 59.8 cm
- Appliance depth: 61.3 cm
- Appliance depth incl. door: 66.5 cm
- Appliance depth with open door: 110.5 cm
- Heat pump technology with climate friendly cooling agent

**Series 4, Heat pump tumble dryer, 8  
kg, White  
WTH85222GB**

Measurements in mm



Measurements in mm

